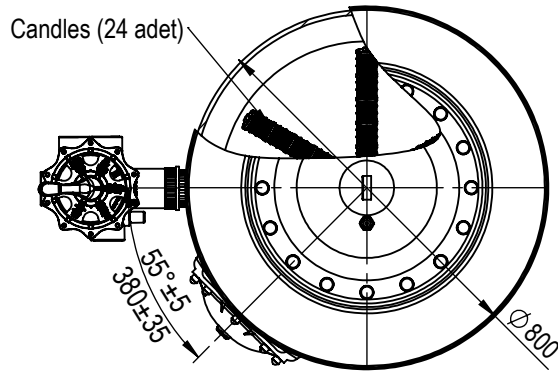
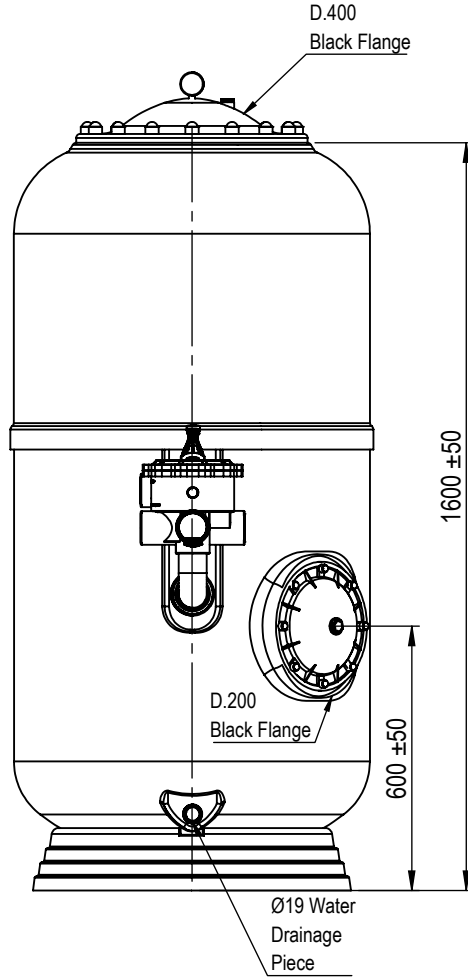
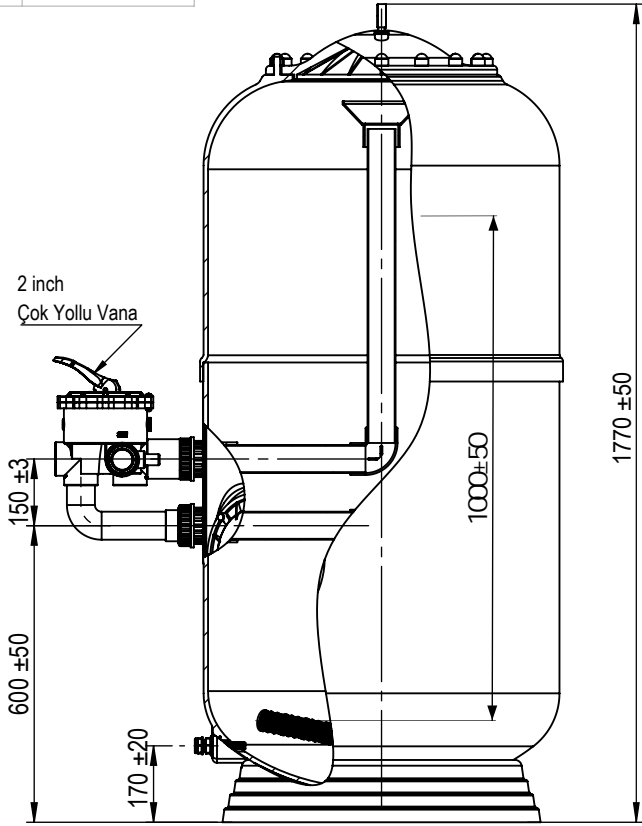


PRODUCTION TABLE	
NO	WORKBENCH
01	POLYESTER



MODEL : FILTREX HB 800

FILTRATION AREA : 0,50 m²

VOLUME: 732 L

OPERATION PRESSURE : 2,5 kg/cm²

FLOW RATE: 25 m³/h

PRODUCT YEAR :

COLOR CODE:

SİPARİŞ NUMARASI :

PRODUCT CODE :021314 HB

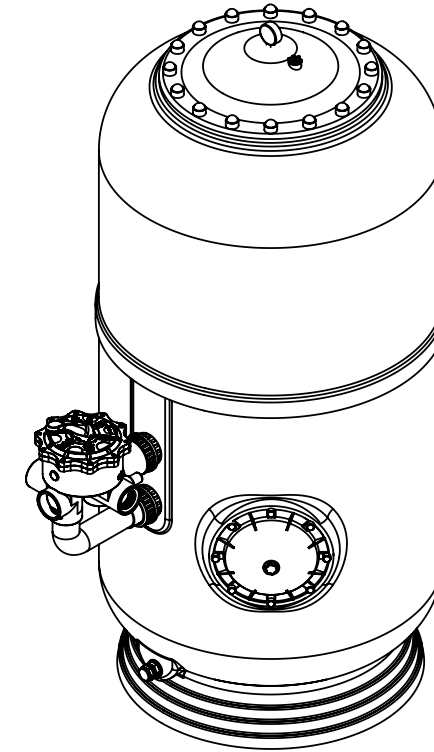
FILTER DIAMETER : 800 mm

FILTRATION MEDIA : 0,4 - 0,8 mm

TEST PRESSURE : 3,5 kg/cm²

FILTRATION RATE : 50 m³/h/m²

CUTOMER NAME :



Ölçüler "mm" cinsindedir.

RESİM ÜZERİNDEN ÖLÇÜ ALINMAZ.
DO NOT TAKE THE MEASUREMENT ON THE DRAWING

Rev. No / Rev. No Rev. Tarihi / Rev. Date Revizyon Notu / Revision Note Rev.Ad-Soyad / Rev.Name-Surname İmza / Signature

Revizyon / Revision Tarihi / Date Ad-Soyad / Name-Surname İmza / Signature Ağırlık (gr) / Weight (gr)

Çizen / Designed By 02.08.2023 MELTEM KILIÇ

Kontrol / Checked By İBRAHİM KAYA

Onay / Aproved By İBRAHİM KAYA

Stok Kodu / Stock.No

Ölçek / Scale

Parça Adı / Part Name
D.800 Derin Yataklı Havuz Kum Filtresi

Form / Form

A4

Malzeme / Metarial

